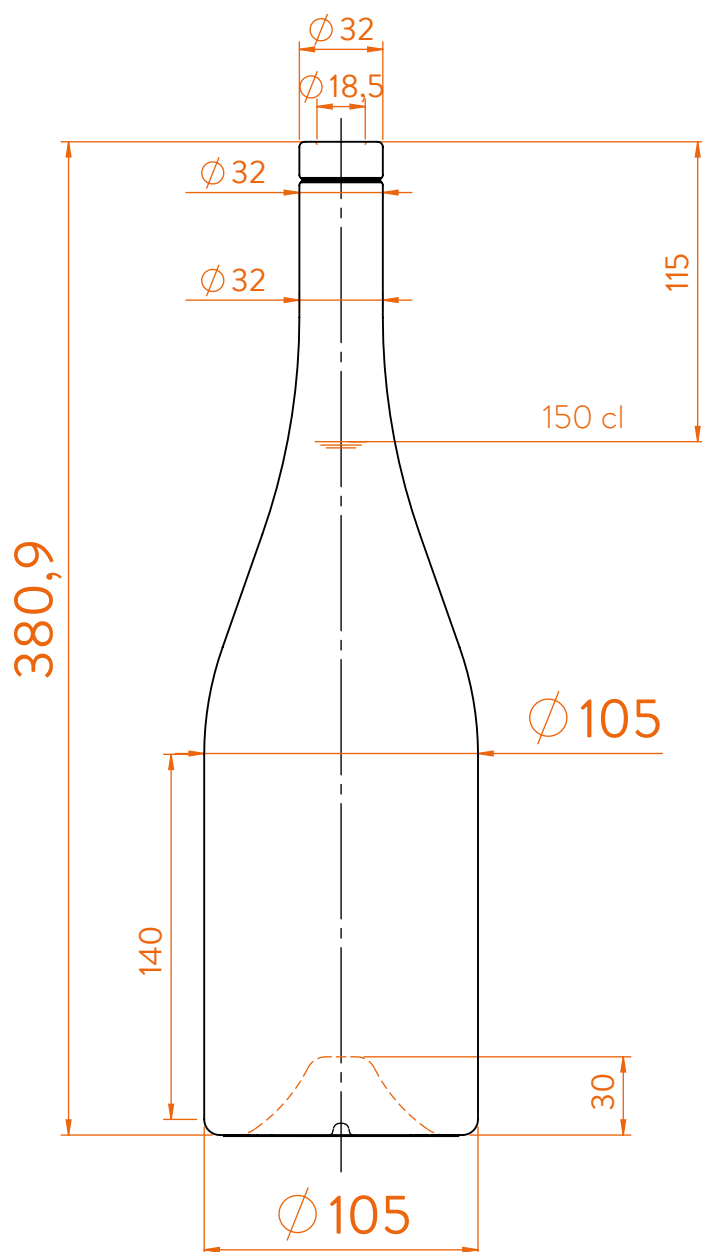


SM BG MG ESSENTIA[®]

estal

www.estal.com
+ 34 972 821 676



Modelo registrado/
Registered model/
Modèle enregistré/



Sommelier Long

- ANTICO
- FLINT
- FLINT WILD GLASS
- DARK WILD GLASS



DATOS TÉCNICOS TECHNICAL DATA DONNÉES TECHNIQUES

Peso / Weight / Poids	900 gr
Altura total / Total height / Hauteur totale	380,9 mm
Diámetro del cuerpo / Body diameter / Diamètre du corps	105 mm
Ø interno boca / Ø inner mouth / Ø intérieur bouche	18,5 mm
Capacidad a verter / Brimfull / Capacité ras-bord	150 cl

At first the SM BG MG ESSENTIA range is proposed in 150 cl.
Following business opportunities, other sizes (from miniature 5cl to big size 300cl) will be added to the range.

The elements detailed in this document are not contractual. They are only indicative.