



O-I Manufacturing Italy S.p.A.

September 2015

DRAWING 130078/0847

50CL LIGUST.TV35AE

approx weight gr. 330

END USE

OIL

Any use other than indicated must be agreed upon our Customer Service

CONFORMITY

The mentioned container complies with:

Italian D.M. of 21/03/73

(which maintains its full validity after EC Regulation no. 1935/2004 of 27/10/04 came into force): the glass container (sodium-calcium) belongs to category A and is suitable to be utilised in contact with foods.

Italian D.L. no. 22 of 05/02/97

The glass chemical compositions complies with the Directive 94/62/EC and subsequent updates of 19/02/01 (ref. 2001/171/EC – article 5) and of 08/05/06 (ref. 2006/340/EC – article 6).

Italian D.L. 451 of 03/07/76

The container complies with the regulations referring to “measuring containers” in compliance with Directive EEC 75/107 of 19/12/74.

EEC 1935/2004

The container traceability is guaranteed by the pallet label data.

OPERATING CONDITIONS

		Hot surface treatment (Standard CETIE DT 13)	YES
Max axial load (Standard UNI 9035)	500 kg	Cold surface treatment (Standard CETIE DT 13)	YES

For auto adhesive labels applications a previous contact with our Customer Service is advisable

Casein glue is recommended for labelling

GEOMETRIC CHARACTERISTICS AND TOLERANCES

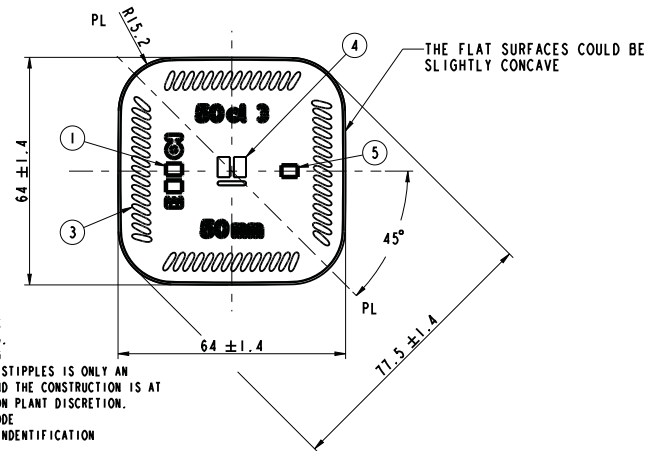
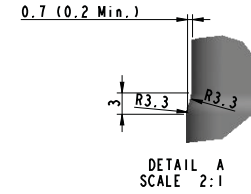
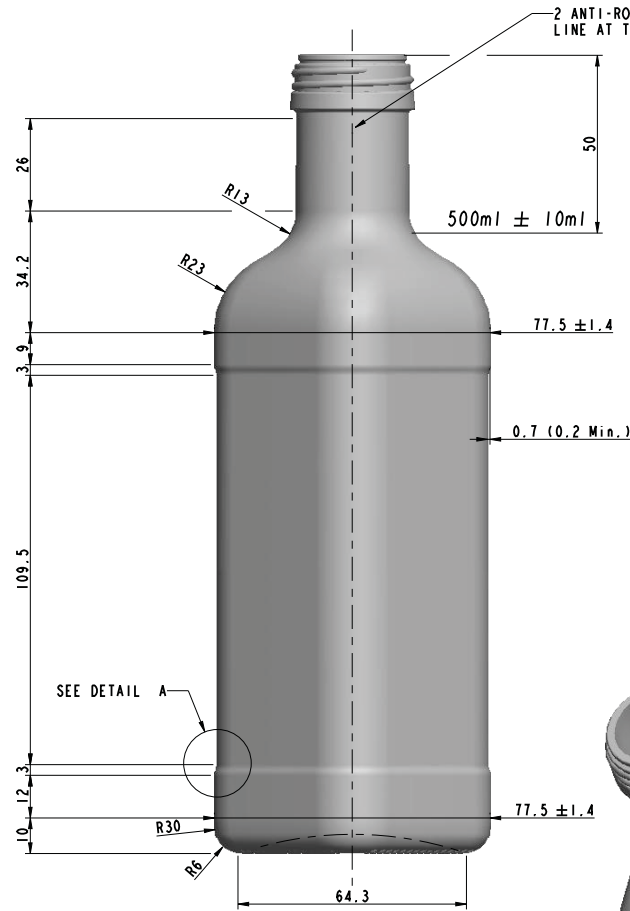
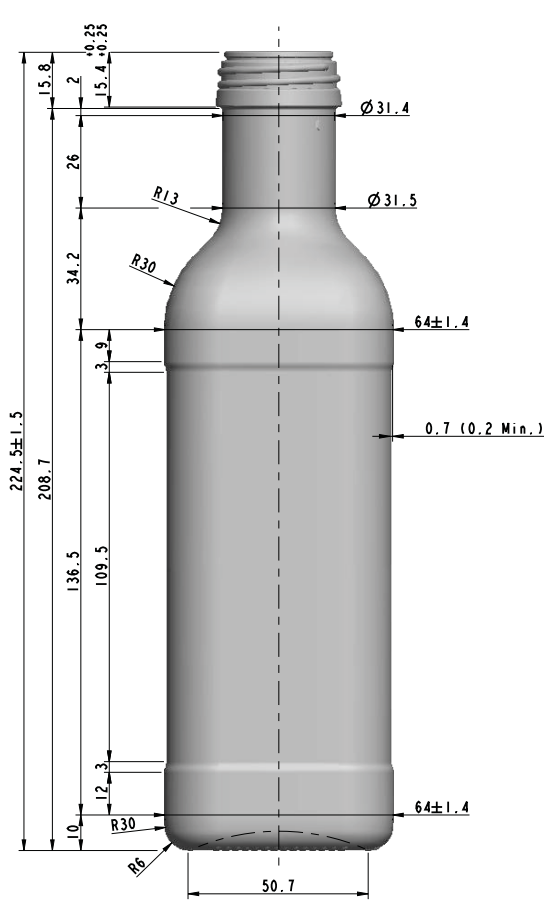
Capacity: 500 ml \pm 10 at 50 mm from brimful		(Standard UNI ISO 8106)
Perpendicularity deviation	mm: 2,5	(on the axis, Standard CETIE DT 2)
Finish bore diameter	mm: 25,5 \pm 0,4	(measured at 2 mm from brimful)
Minimum through-bore diameter	mm: 22,0	
Max. diam. of filling tube that can be used	mm: 20,5	

NOTES

- Blowing is always recommended before use.
- Lots/Batches of this container, used in observance of the prescriptions laid down by this Technical Sheet, shall have very reasonable mean line breakage values.
- Since usage results may be influenced by utilisation conditions, normal mean breakage values may be agreed with our Customer Service after a joint analysis of the filling line. In any case, the guarantees mentioned in this Document are valid only for first utilisation.
- If the utilisation results should deviate significantly from the mean values normally found, you are advised to change production Batch/Lot, informing our Customer Service Technicians who will contact you immediately in order to arrange all the necessary checks to be done jointly and to agree possible solutions if non conformities would be found.

FINISH DESCRIPTION: UNI 10666 - 35 medio - PP-VAE

INSERT: YES



- 1 = TRADEMARK
- 2 = CAVITY No.
- 3 = STIPPLING
- THE SHAPE OF STIPPLES IS ONLY AN INDICATION AND THE CONSTRUCTION IS AT THE PRODUCTION PLANT DISCRETION.
- 4 = CAVITY CODE
- 5 = A GLASS IDENTIFICATION

SCALE 1:1

GLASS IS LIFE™

O-I makers of pure, sustainable, brand-building glass packaging

O-I Manufacturing Italy S.p.A.

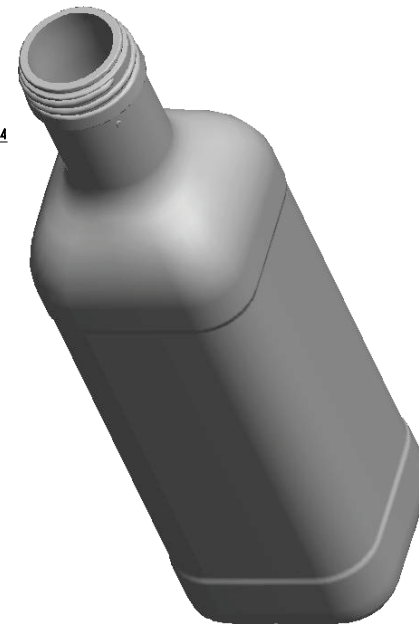
Via 1° Maggio, 18
21040 Origgio(VA), Italy
Tel. +39 0243463.1

**CONTAINER & MOULD ENGINEERING
EUROPE**

NOTES:
THIS DRAWING IS THE PROPERTY OF O-I AND MUST NOT BE REPRODUCED OR DISCLOSED WITHOUT O-I WRITTEN AUTHORIZATION.

DIMENSIONS EXPRESSED IN mm
ONLY TOLERANCED DIMENSIONS ARE GUARANTEED.

MANUFACTURING MARKINGS SHOWN ARE FOR ILLUSTRATIVE PURPOSES ONLY. ACTUAL MARKINGS ON CONTAINER MAY DIFFER. DEPENDANT ON LOCAL LEGISLATION.



CATEGORY FOOD		TILT ANGLE	
MAX. VERTICALITY TOLERANCE 2.5 mm		MEASURING CONTAINER YES	
FINISH SAP NUMBER 0847		FINISH REF. UNI 10666 1988	
MINIMUM THROUGH BORE 22.0 mm		MAX FILLING TUBE Ø 20.5 mm	
CONTAINER OVERFLOW CAPACITY (BRIMFUL) 524ml APPROX.			
CONTAINER RATED CAPACITY (FILLPOINT) 500ml ± 10ml			
CONTAINER WEIGHT 330g APPROX.			
FINISH DESIGNATION 1T.35.UNI 10666.H158.0847		MAX GAS VOLUME	
PROCESS	RETURNABLE NO	DESIGN REF. IPSO 7271	

**STANDARD
50 cl OLIO LIGUSTRO**

DESIGNER	CD	DATE	22/01/13
CHECKED		DATE	
DRAWING NUMBER 130078		MOULD/SAP NUMBER 130078	

No	DATE	REVISIONS	DESIGN/CHECK